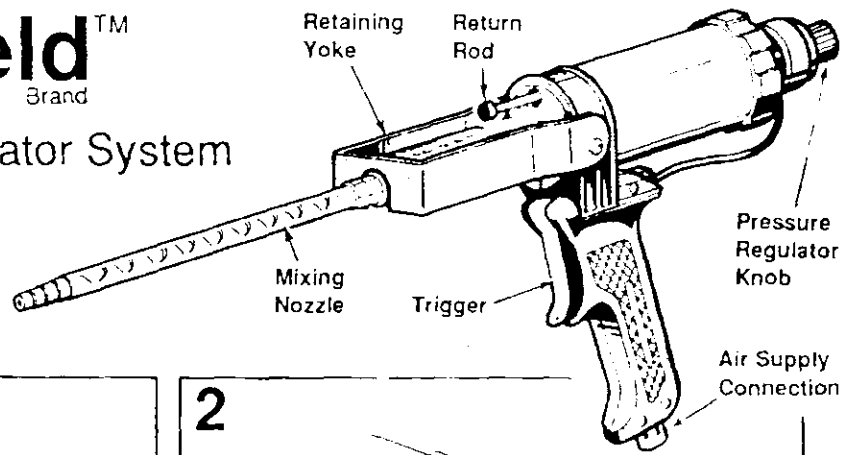


# Scotch-Weld™ Brand

## EPX™ Pneumatic Applicator System



### Directions for Use

**1**

a Swing retaining yoke up  
b Push return rod fully into applicator  
c Plunger disks retract with return rod

**2**

Turn pressure regulator knob fully counterclockwise to minimize pressure.

**3**

a Slide Duo-Pak into bracket so top of flange clears return rod.  
b Twist and remove Duo-Pak cap.

**4**

Swing retaining yoke down over Duo-Pak

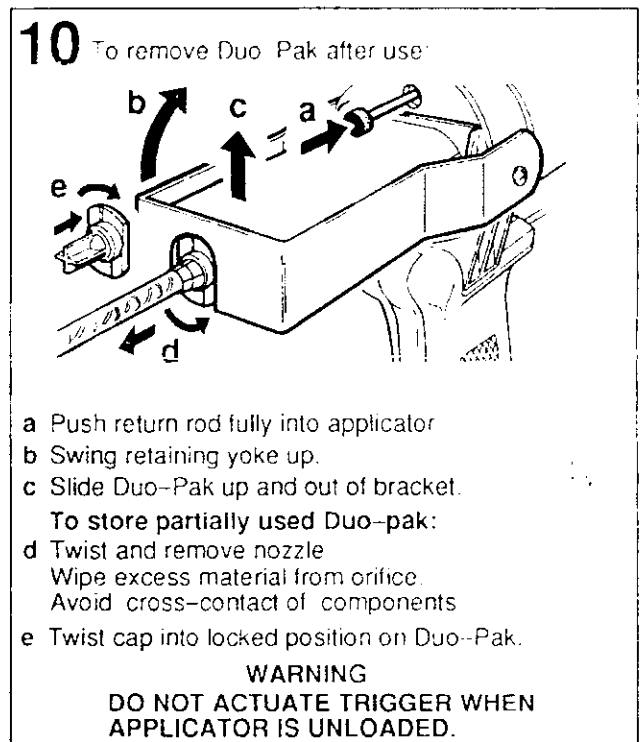
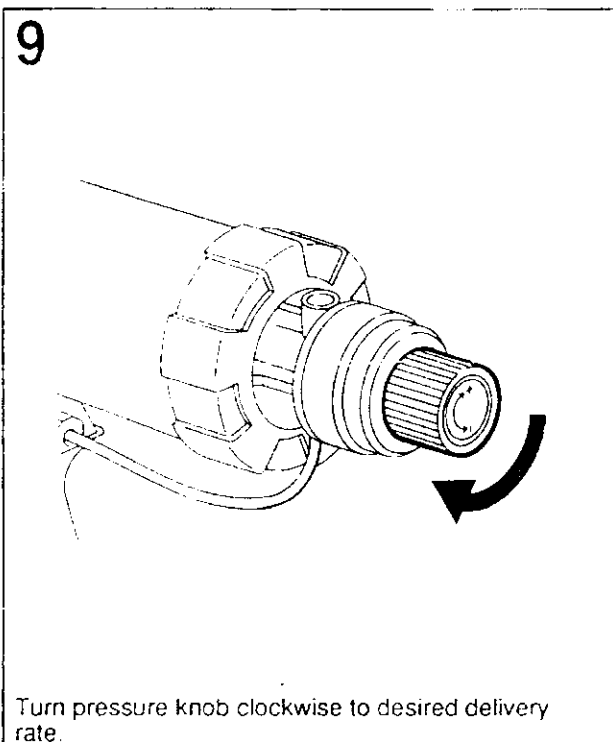
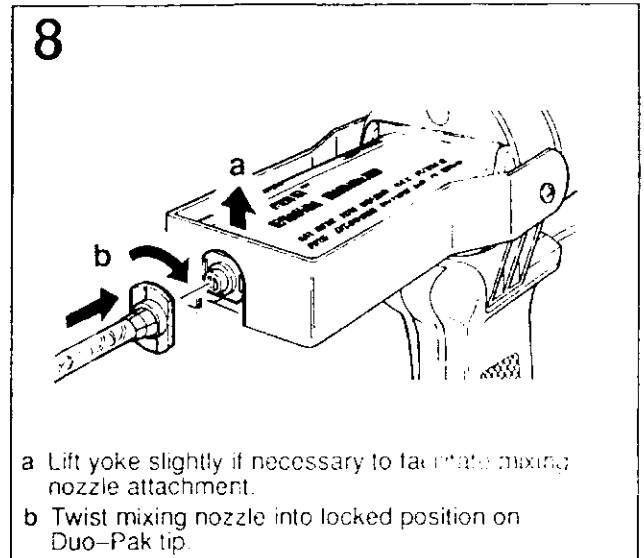
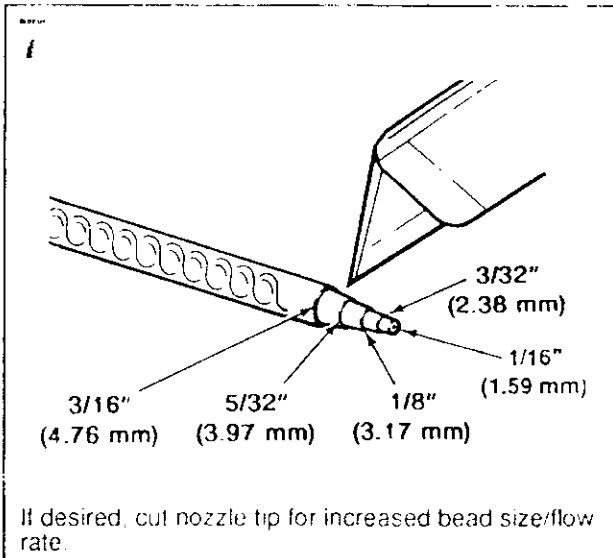
**5**

Connect air supply to air supply connection.

**WARNING**  
DO NOT ACTIVATE TRIGGER UNTIL YOKE IS HOLDING DUO-PAK CARTRIDGE IN POSITION. DAMAGE TO APPLICATOR AND INJURY MAY RESULT.  
KEEP DUO-PAK ORIFICE POINTED AWAY FROM BODY.

**6**

Squeeze trigger to expel a small amount of adhesive. Ensure that both components flow freely. Clear orifice of hardened material if necessary.



11 To reload applicator, disconnect air supply and repeat steps 3-8.

**Care of Applicator**

Periodically clean any adhesive from plunger disks (refer to figure 1c) with common solvents and detergents. Product data sheets may contain specific procedures. **WARNING: Use proper precautionary measures when using solvents.**

**Replacement Part**

EPX Mixing Nozzle: 3M Stock Number 62-9741-9935-6

**Limited Warranty**

If 3M products are proven defective, the user's exclusive remedy will be, at 3M's option, to replace the defective 3M products or to refund the purchase price for the defective quantity. Except for the replacement or refund remedies, 3M is not liable for direct damages or liable for indirect, incidental, or consequential damages, regardless of the legal theory asserted, including negligence and strict liability.

34-7011-9472-1

**Adhesive Systems  
3M Industrial Specialties Division**

3M Center Building 220-7E-01  
St. Paul, MN 55144-1000

